

# JVC®

The Perfect Experience / —  
/

## FIXED IP COLOR CAMERA **VN-C20U**

Easy to Install IP Color Camera with Full Frame Rate Motion-JPEG (VGA Mode), Pre/Post Alarm Buffer and Built-in Viewer

30 **VGA**  
fps

Easy Day/Night

**PoE**  
Power over Ethernet

### Power over Ethernet Surveillance Camera with High-Resolution Images for Versatile Monitoring and Security Applications



Shown with optional lens

- Versatile monitoring and camera control capability
- 1/3 type Interline Transfer CCD with 380,000 effective pixels
- Full frame rate Motion-JPEG at VGA/QVGA switchable
- PoE (Power over Ethernet: IEEE 802.3af) for easy installation with single LAN cable connection or AC24V power supply
- Built-in Viewer for monitoring/capturing camera images on PC
- Pre/Post alarm buffer
- Fully featured security monitoring camera
  - Full hybrid with both analog and IP output
  - Easy day/night function
  - Automatic gain control (AGC) on/off
  - Backlight compensation (BLC) on/off
  - Automatic tracking white balance (ATW) and manual modes

<http://www.jvc-victor.co.jp/english/pro/vnetworks/index-e.html>

# Easy-to-Use, Reliable Monitoring System with Quick Installation and Built-in Multi-Function Viewer

## ■ Features

1/3 type IT CCD with 380,000 effective pixels

The high-resolution 1/3 type Interline Transfer CCD with 380,000 effective pixels reproduces superbly detailed images in true color.

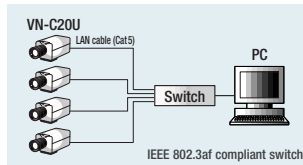
Full frame rate Motion-JPEG (VGA)

Produces high-quality images in the Motion-JPEG format with resolution of up to 640 x 480 pixels and a maximum frame rate of 30 fps.

Easy installation with PoE  
(Power over Ethernet)

Simply connect with a LAN cable on the Ethernet network and the camera is activated and can be controlled via connected PCs.

\*PoE enabled switch or power injector is required for PoE operation.



Motion detection function

Alarms can be activated based on motion within a defined area. Motion detection can also start video recording on a connected computer.

Easy day/night function

Provides higher sensitivity under low illumination. When the Easy day/night is set to ON, minimum illumination is 0.4lx F1.2 (25IRE).

## Other Features

- Built-in Web server
- Multicasting capability
- FTP client/server function
- Alarm input x 2 / output x 2
- 10Base-T/100Base-TX/FULL/HALF/ auto negotiation

## Viewing

By installing the VN-C20U's built-in viewer on your PC, streaming camera images can be monitored with the Internet Explorer. Snapshot recording, alarm signal reception, and various settings are also possible with the viewer.

### • Built-in Viewer



Notes:

- The VN-C20U's built-in viewer does not have a recording function.
- Compatible multi-camera browser VN-RS800U will be available in August 2006.

## Enhanced Interface

Initial setup is easily achieved by Internet Explorer. Various operating parameters can be similarly adjusted.

### • Camera setting

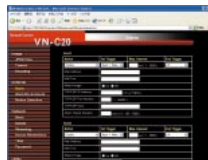
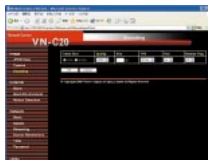
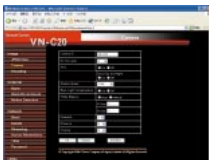
Setting for camera ID, iris, AGC, white balance, Easy day/night, etc.

### • Encoding setting

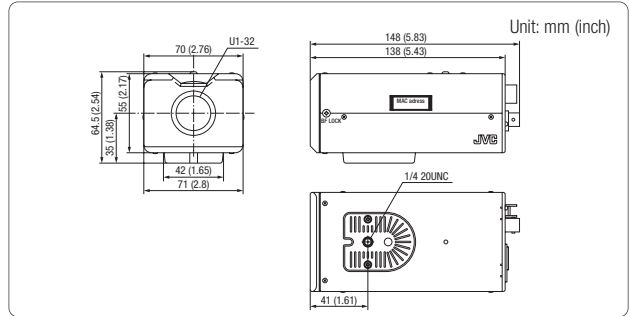
Setting for frame size, picture quality, frame rate, etc.

### • Alarm setting

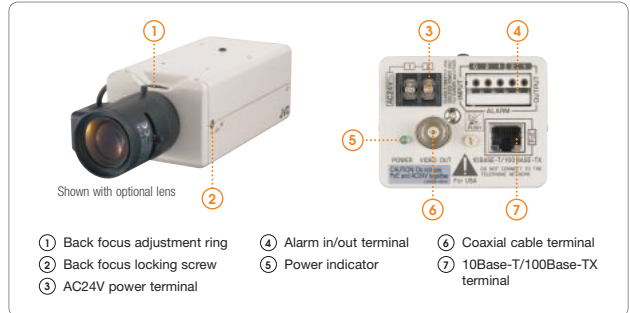
Setting for up to 5 actions when there is an alarm.



## ■ Dimensions



## ■ Controls, connectors and indicators



## ■ Specifications

Camera	
Image device	1/3 type IT CCD
Number of effective pixels	380,000 (768 x 494V)
Minimum illumination (typical)	
Color mode:	2.5 lx, F1.2, AGC on, 50 IRE (50% video) 1.0 lx, F1.2, AGC on, 25 IRE (25% video)
B&W mode:	1.0 lx, F1.2, AGC on, 50 IRE (50% video), Easy day/night on 0.4 lx, F1.2, AGC on, 25 IRE (25% video), Easy day/night on
S/N ratio (typical)	50 dB, AGC off
Horizontal Resolution (typical)	480TV lines (analog video out), 400TV lines (network)
Lens mount	C/CS
White balance	ATW/Manual
Easy day/night	Yes (on/off)
Video/Encode	
Video output	Composite video signal (NTSC): 1.0 V(p-p), 75 ohms (BNC)
Video compression	JPEG (7 level compression)
Image size	VGA/OVGA
Frame rate (max.)	VGA 30 fps
<requirement>	<30 KByte, Motion detection off>
Motion detection	Yes
Constant bit rate	Yes
Pre/Post alarm buffer	Yes (8 MB)
General	
Alarms	Input x 2, Output x 2
Power supply	PoE (Power over Ethernet, IEEE802.3af compliant) / AC 24V
Power consumption	0.5 A (max.)
Operating temperature (recommended)	0°C to 40°C (32°F to 104°F)
Dimensions (W x H x D)	70 mm x 55 mm x 138 mm (2-7/8" x 2-1/8" x 5-7/8")
Weight	560g (1.24 lbs.)
Network	
Network interface	RJ-45, 10Base-T/100Base-TX auto negotiation
LAN	IEEE802.3/IEEE802.3u/IEEE802.3af
Protocol	TCP/IP, UDP/IP, HTTP, FTP, ICMP, ARP, DHCP, NTP, SMTP, DSCP
IP filter (deny/allow access from specified IP)	Yes
Access protection	3 level passwords
Multicast	Yes
System Requirement (recommended)	
OS	Windows® XP Pro (SP2)/Home (SP2)
Web browser	Internet Explorer ver. 6.0
CPU	Pentium® 4, 1.5GHz
Memory	1 GB
HDD space	20 MB
Display/video card	1,024 x 768 pixels, True color (24-bit or 32-bit) VRAM 256 MB

All brand or product names may be trademarks and/or registered trademarks of their respective owners. Copyright © 2006, Victor Company of Japan, Limited. All Rights Reserved.

# JVC®

DISTRIBUTED BY



■ Hachioji Business Centre of Victor Company of Japan, Ltd. has received ISO14001 Certification for environmental management and ISO9001 Certification for quality assurance management.

Printed in Japan  
VEC-0317 VNC20UYT0602  
"JVC" is the trademark or registered trademark of Victor Company of Japan, Limited.